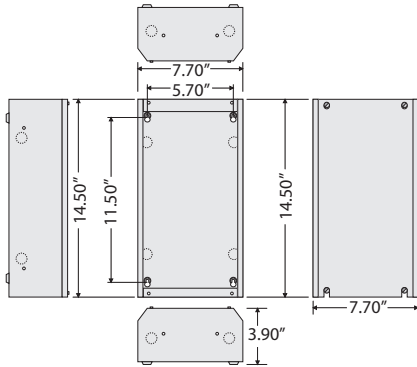


ENCLOSURES

MH1000 Series

Metal Housing Series, NEMA 1, 14.5" H x 7.7" W x 3.9" D



MH1000 SERIES ASSEMBLIES		
Model #	Enclosure	Plastic Snap Track
MH1000	MH1000	
MH1010	MH1000	MT4-12 (4.00" W)
MH1020	MH1000	MT212-12 (2.75" W)



SPECIFICATIONS

Construction: 18 Gauge Steel
Cover Type: Screw Down Cover

Approvals: UL Listed, C-UL, CE, RoHS
Origin: Made of US and non-US parts

Notes:
 • Consult factory for custom colors for large orders.